

AVOCET-9000

Operation and Installation Manual

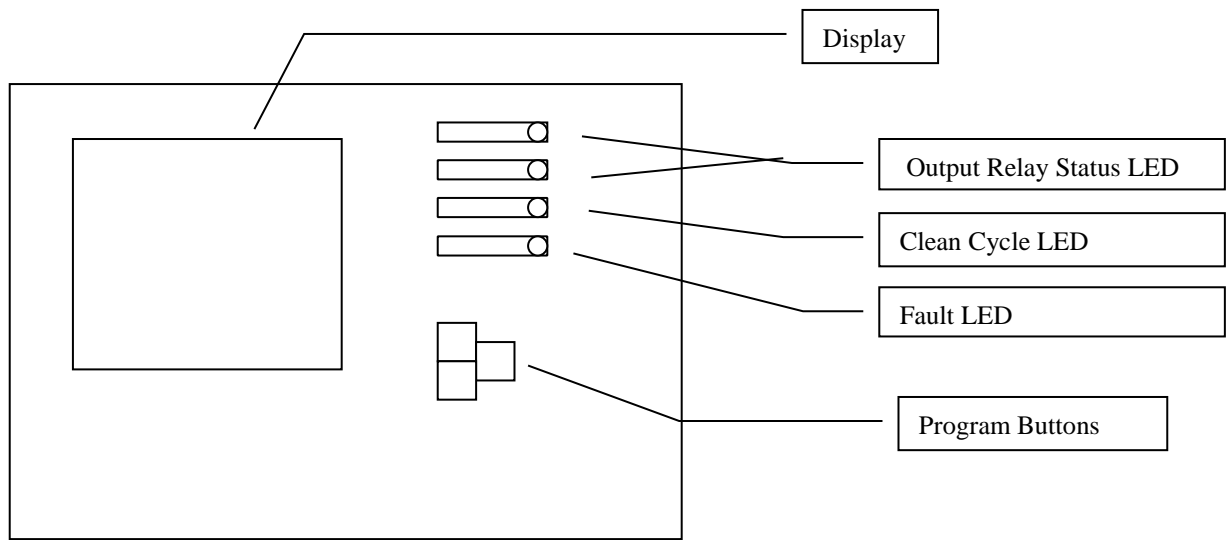


1 Lon Cae Darbi
Cibyn Industrial Estate
Llanberis Rd, Caernarfon
Gwynedd, LL55 2BD

Tel : +44 (0)1422 363462
E : Enquiries@smartstormgroup.com
Web : www.smartstormgroup.com

AVOCET 9000 USER MANUAL

- 1 Introduction - what it does –how it works.**
- 2 Installing the Avocet 9000**
- 3 Programming the Avocet 9000**
- 4 Outputs and external Connections**
- 5 Telemetry options for Avocet 9000**



Please note:

The Manufacturers and Distributors accept no responsibility for losses or damages incurred due to actions being taken or control processes occurring based on the outputs of the Avocet 9000. When used in control applications protective precautions should be installed.

AVOCET 9000 USER MANUAL

1 What the Avocet 9000 does – how it works.

The Avocet 9000 monitors sedimentation of biological solids in tanks up to 7 metres deep. When used in conjunction with its telemetry options then any number of remote tanks can be monitored simultaneously from a control room situated within 500 metres of the tanks (site dependant).

The entry level for Avocet 9000 is an outstation attached to a sensor. This enables a single tank to be monitored. The Avocet 9000 works by bouncing pulses of ultrasound off the sediment particles themselves. The Avocet 9000 outstation can operate as a standalone instrument and provides alarm relays as standard and optional 4-20mA and RS232 output.

The ultrasonic sensor probe is immersed just below the surface of the supernatant pointing directly towards the bottom of the tank. The sensor both transmits the sonar pulse and then receives the returned backscattered signal. The computer system in the Outstation processes this backscattered data to build up the distribution of particles as a function of depth into the effluent. This is displayed in a graphical form on the Outstation along with all relevant measurement data.

The graphical display allows the user to recognise the interface and the quality of the interface.

The Avocet 9000 only measures **relative** density as opposed to absolute. This is because during operation the signal strength may vary due to factors such as turbidity of the supernatant and algal growth on the sensor. The system adjusts for this over a range of magnitude by hunting for the strongest echo return.

During normal operation sludge blanket inversion and other processes can cause excessive fouling of the sensor. If this happens then the purge cleaning facility should be used. A blast of either water or compressed air is forced across the sensor face causing the obstructing matter to be removed. This autopurge increases the time between any routine maintenance requirements.

AVOCET 9000 USER MANUAL

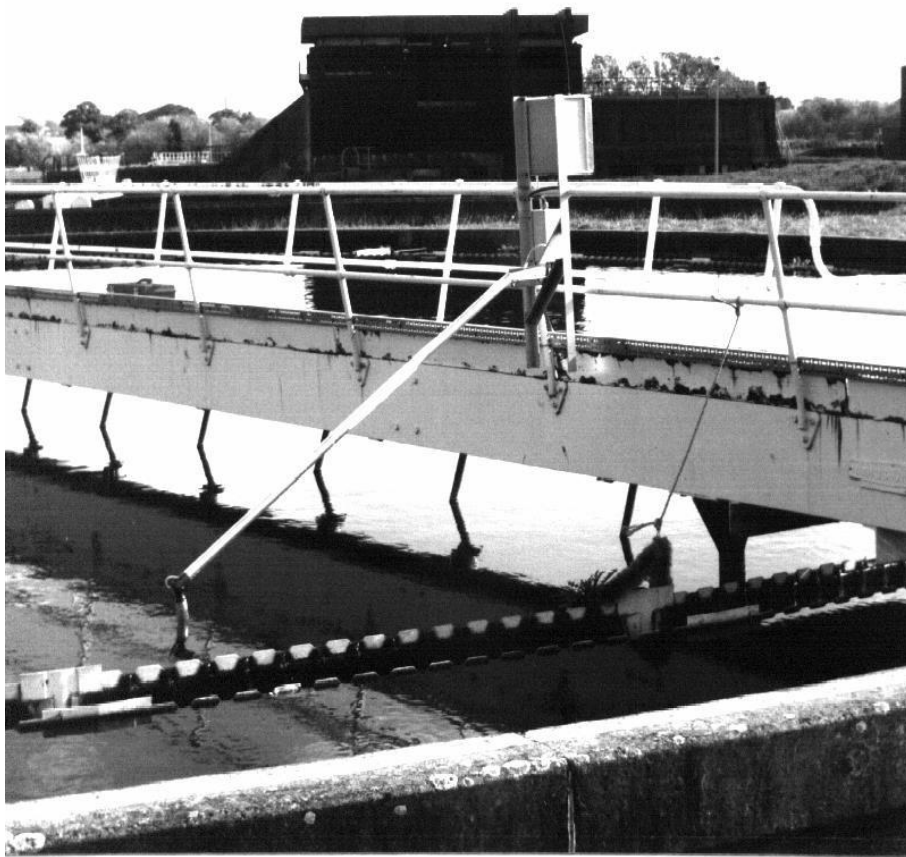
2 Installing the Avocet 9000 – basic system.

Note: Installation should only be undertaken by approved personnel. No responsibility can be accepted by the manufacturers from faults arising from improper installation. The following notes are for guidance only.

Each Outstation in the system needs to be installed above the tank it is monitoring. Installation of the Base station is covered in a separate manual.

Installation of the Outstation

Outstations are normally fitted to static or circular sediment tanks. They may equally be fitted to rectangular tanks with the traversing type of scrapers, but care must be taken to ensure that on such a tank, the sensor (which is minimally immersed at water level) can never become fouled (typically by weirs or scum bars). If there is any doubt about the suitability of the tank then consult the manufacturer. The usual installation is on the circular type of tanks and this is the type of installation described.



AVOCET 9000 USER MANUAL

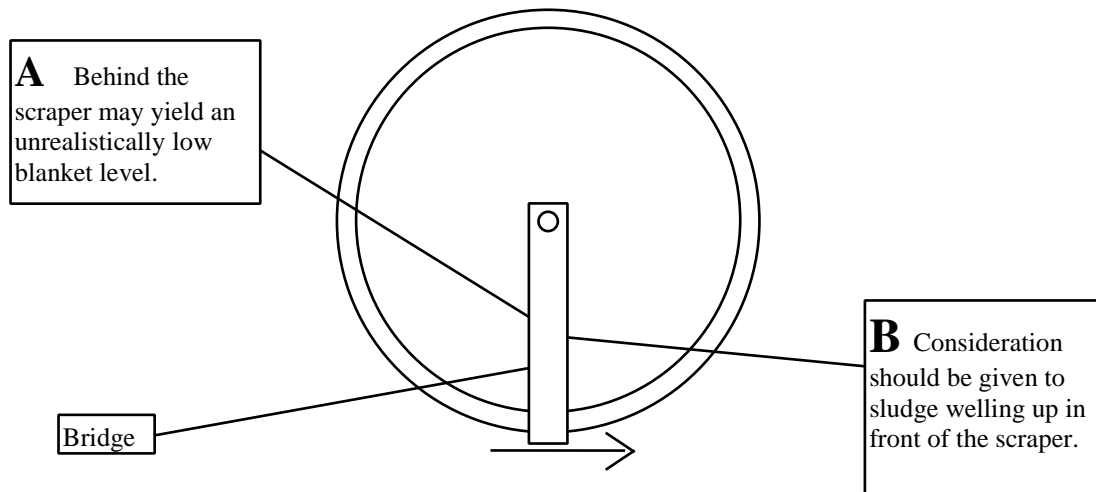
The issues needing to be addressed are as follows:

- 1 Mounting of the Outstation on the handrail or similar structure.
- 2 Attachment and adjustment of the Sensor arm.
- 3 Connecting of the Outstation to 115 V, 230 V or other suitable power supply.
- 4 Programming and commissioning.

The ideal and usual mounting configuration for the Outstation is to attach the unit to a frame – this is available as an option, which also comes provided with a sensor arm which conveniently holds the sensor away from obstructions.

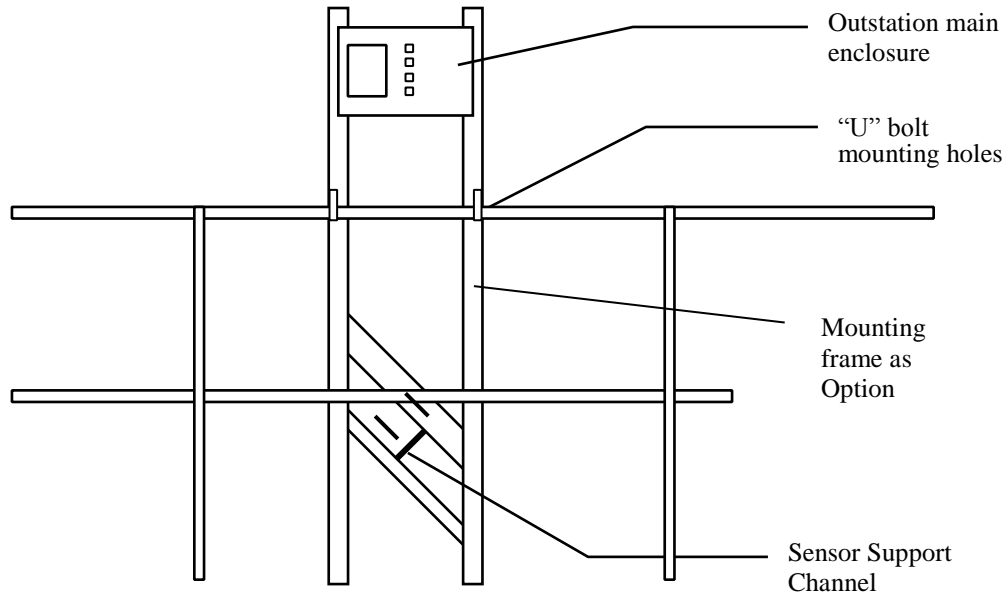
Care should be taken as to where the Outstation is mounted on the bridge – see diagram below.

Plan View of Circular Sediment Tank



Position B is usually better than A but may depend on the dynamics of the tank.

AVOCET 9000 USER MANUAL



When mounted the display should be visible from the walkway and usually between waist and shoulder height.

The tubular section of the sensor arm has a length matched to the height of the handrail above the effluent surface. The open-ended elbow is attached to the frame with the M10 nylock bolt. The vernier screw in the base of the support channel is adjusted to give an immersion depth of the grey PVC sensor of between 20 and 40 mm.

There may be one or two cables attached to the sensor arm depending on the specification. If a second cable is fitted then this is a pneumatic line (clear tube), which can be connected to an air compressor (available as an option) through one of the grey glands.

The Coaxial signal cable connects into the instrument enclosure; the PVC sleeving is terminated at the gland whilst the "SMC" RF connector screws on to the socket at the right-hand side of the board.

Connect either 115- or 230-Volt supply to the Outstation. Care must be taken to adjust the voltage selector switch located on the rear PCB accordingly. The default for the unit is 230V.

AVOCET 9000 USER MANUAL

3 Programming the AVOCET 9000

3.1 Selecting programmable parameters.

The Avocet device is programmed using the three keys on the front of the unit labelled **UP**, **DOWN** and **SET**. If the Avocet is left for more than 50 seconds without a key being pressed the unit will revert to the run mode. This is a safety feature to prevent an operator leaving the unit offline by forgetting to exit the programming mode.

3.1.2 Viewing the current programme.

To view the current programme running press the **SET** key and select **Display Setup** from the options, then press the **SET** key. If no key is pressed within a set time a timeout causes the unit to return to the **Run Mode**.

```

Main Menu
  Setup Menu
    >>> Display Setup
      Run Mode

```

The Avocet 9000 will display the current programme on four screens.

```
Software version: 1.47
```

HEAD SETUP

```
>Distance to tank bottom = 3.50(m)
```

```
>Blanking distance = 0.70(m)
```

```
>RELATIVE Threshold offset = 50(mV)
```

The first screen shows the basic head and tank settings used in the programme, and the sludge blanket level detection threshold.

Press any key to move to the second screen.

RELAY SETUP:

```
>RELAY 1:
```

```
>Mode = HIGHLEVEL
```

```
>ON level = 2.00(m)
```

```
>OFF level = 1.80(m)
```

```
>RELAY 2:
```

AVOCET 9000 USER MANUAL

>Mode = **DISABLED**

The second screen shows the settings for the relays and indicates whether each relay triggers on a **HIGH LEVEL** or **LOW-LEVEL** alarm or is **DISABLED**. If not **DISABLED**, the display shows the levels that the alarm is switched on and the level the alarm is switched off.

Press any key to move to the third screen.

CLEANING SETUP:

>Cleaning interval = **60(mins)**

>Cleaning duration = **15(secs)**

The third screen shows the programme settings for the cleaning interval. The cleaning interval is the operational time between cleaning cycles, and the cleaning duration is the time in seconds that the cleaning relay will be active to enable an external device to perform a clean of the sensor in the tank.

Press any key to move to the fourth screen.

PROCESSING SETTINGS:

> **PRIMARY CLARIFIER DETECTOR**

> Filter **MEDIAN** length = **5**

> History length = **4**

> Display scale = **x1**

> Detection type = **PEAK** > **SLOPE**

FILTERED (Filter Len = 4)

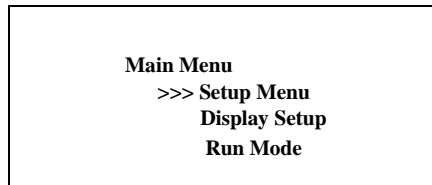
The fourth screen shows the programme settings for the echo detection algorithm selected by the user. These are set up in the **Engineering** sub menu and are explained under that section of the manual.

Press any key to return to the **MAIN MENU** screen.

AVOCET 9000 USER MANUAL

3.1.3 Setting up a programme.

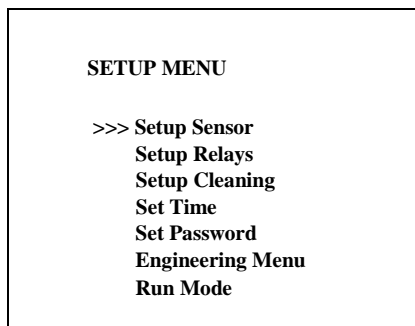
To begin programming the device press the **SET** key and select **Setup Menu** from the options.



You must now enter the device password in order to proceed. Use the **UP** and **DOWN** keys to enter the password number and then press **SET** to continue. If you enter an incorrect password the system will return automatically to the normal RUN MODE. The factory default password is 1.

Enter Password
> 0

Once you have entered the correct password you will be presented with the **Setup Menu**.



Using the **UP** and **DOWN** keys scroll to the option you require and press the **SET** key. This will take you to the appropriate setup screen. The **Run Mode** option is reached by scrolling to the menu bottom.

3.2 Programming the parameters.

3.2.1 Programming the sensor

Scroll to the **Setup Sensor** option of the **Setup Menu** and press the **SET** key. Follow the instructions on the display.

First enter the distance in metres from the face of the sensor head to the bottom of the tank. Use the **UP** and **DOWN** keys to indicate the appropriate value

In order to use **SECONDARY CLARIFIER TANK** or **PEAK** detection, the distance set for the bottom of the tank must be about 0.2m less than the tank depth at its shallowest under the sensor's detection field. This value can be obtained using the **Test ADC** function in the **Engineering menu**.

AVOCET 9000 USER MANUAL

Once the desired value is displayed press the **SET** key to enter the value shown and continue.

Enter head face to tank bottom distance

> 2.10(m)

Now enter the blanking distance in metres.

Enter Blanking Distance > 0.70(m)
Page 9

The blanking distance extends out from the face of the sensor head to the point at which measurements can be made without interference from obstructions. The instrument has a minimum blanking distance of 0.70 metres.

When the desired value is shown press the **SET** key to continue.

Now enter the threshold value in millivolts (mV). The threshold value should be set to give reliable readings, without giving false readings from interference pickup. The threshold will work on either the returned signal or the slope-filtered signal. Below this threshold any value or peak detected is considered noise.

Enter threshold >
200(mV)

You will now be asked if you wish to save the new settings. Selecting **YES** will make the changes permanent and you will have re-programmed the device. Selecting **NO** will return you back to the **Setup Menu** without making any changes to the original settings.

Save Settings?

> No
Yes

If you select **Yes** the unit will show the following screen momentarily.

SAVING SENSOR SETTINGS

If you select **No** the unit will show the following screen momentarily.

SETTINGS NOT SAVED

AVOCET 9000 USER MANUAL

3.2.2 Programming the Relays

To program the relays, scroll to the **Setup Relays** option of the **Setup Menu** and press the **SET** key. Follow the instructions on the display. You will first be presented with a sub-menu showing the available relays that can be programmed. Scroll to the relay required and press the **SET** key.

Relay Number?

>>> **Relay Relay 21**
Exit

On selecting a relay, you will be presented with another sub-menu scroll to the type of relay you are configuring, **HIGH-** or Low-level mode then press the **SET** key to continue. The **DISABLE** option can be used to disable a previously programmed relay.

High/Low Alarm?

>>> **HIGH**
LOW
DISABLE

Once the relay mode has been selected you must then enter the relay **ON** level using the **UP** and **DOWN** keys to set the value. Enter the value in metres.

Relay ON Level

> **2.00(m)**

Enter the relay **OFF** level using the **UP** and **DOWN** keys to set the value. Enter the value in metres. Note that for a **High-level** relay the **OFF** value is always less than or equal to the **ON** value. This allows the user to set a varying level of hysteresis for the relays enabling more complex control schemes to be implemented.

Relay OFF Level > **1.40(m)**

You will now be asked whether or not you wish to save the new settings. Selecting **YES** will make the changes permanent and you will have re-programmed the relay. Selecting **NO** will return you back to the **Setup Menu** without making any changes to the original settings. In both cases the instrument will momentarily show an appropriate message.

Save Settings?

> **No**
Yes

AVOCET 9000 USER MANUAL

3.2.3 Programming the Cleaning Cycle

To program the head cleaning cycle, scroll to the **Setup Cleaning** option in the **Setup Menu** and press the **SET** key. Follow the instructions on the display. You will first be asked to enter the cleaning interval time. This is the time interval in minutes between each cleaning cycle up to a maximum of 720 minutes. To continue press the **SET** key.

Enter cleaning interval (1-720 mins)
> 10 (mins)

Next you will be asked to program the cleaning cycle duration in seconds. This is the amount of time that the cleaning process will operate for up to a maximum of 600 seconds. To continue press the **SET** key.

Enter cleaning duration (1 -600 secs)
> 8 (secs)

You will now be asked whether or not you wish to save the new settings. Selecting **YES** will make the changes permanent and you will have re-programmed the cleaning cycle. Selecting **NO** will return you back to the **Setup Menu** without making any changes to the original settings. In both cases the instrument will momentarily show an appropriate message.

Save Settings?
> No
Yes

3.2.4 Set Time

This option allows the user to set the internal real time clock. The present version of the Avocet has a volatile clock function, i.e. when the unit is powered off the clock settings are lost. At the present time the clock function is not used for logging data, so the user, without any detriment may omit setting the time shown by the clock, from the programming procedure.

To set the clock select the **Set Time** option.

Enter Year (2000-2099)

> 2005

AVOCET 9000 USER MANUAL

Find the current year and then press the **Set** key.

Enter Month (01-12)

> **01**

Find the current month (01 is January, to December is 12) and then press the **SET** key.

Enter date (01-31)

> **17**

Find the current day of the month and then press the **SET** key.

Enter Hour (00-23)

> **09**

Find the current hour in 24-hour clock format and then press the **SET** key.

Enter Minute (00-59)

> **23**

Find the current minute and then press the **SET** key.

You will now be asked whether or not you wish to save the new settings. Selecting **YES** will make the changes permanent and you will have re-set the Time.

<p>Save Settings?</p> <p>> No Yes</p>

Selecting **NO** will return you back to the **Setup Menu** without making any changes to the original settings. In both cases the instrument will momentarily show an appropriate message.

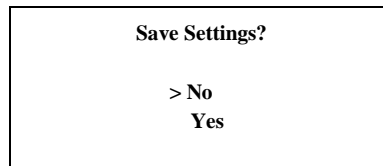
AVOCET 9000 USER MANUAL

3.2.4 Setting a new password

To enter a new password, scroll to the Set Password option in the **Setup Menu** and press the **SET** key. This will take you to the set password screen. Enter the new password using the **UP** and **DOWN** keys and then press the **SET** key when the new value has been selected.

ENTER NEW PASSWORD > 1

You will now be asked whether or not you wish to save the new settings. Selecting **YES** will make the changes permanent and you will have re-set the password. Selecting **NO** will return you back to the **Setup Menu** without making any changes to the original settings. In both cases the instrument will momentarily show an appropriate message.



3.2.5 Engineering Menu.

To enter the engineering menu, scroll to the **Engineering Menu** option in the **Setup Menu** and press the **SET** key.

This will bring up a new menu as shown below allowing the user to test the functionality of the unit and also set up the detection algorithm to be used in the particular installation.

ENGINEERING MENU

>>>Test Relays

Test ADC

Test 4Show Password-20mA

ExitSetup Processing

3.2.5.1 Test Relays

Selecting this option will turn on each of the four relays with each key press. The associated LED on the front panel will also be lit. This can be used to check the functionality of equipment controlled by the relays.

3.2.5.2 Test ADC

AVOCET 9000 USER MANUAL

The **Test ADC** option can be used to examine the echo returns from the settlement tank. On selecting this option, the display will show **Sampling** while the instrument collects a batch of echo returns from the tank. The unit will then display a graph of the echo profile in mV versus distance in metres.

This option is useful for determining the current state of the tank and showing the distance to the tank bottom, which is indicated by a large vertical echo return on the display. In a tank containing a very dense sludge there may be no bottom echo at all due to the sludge totally absorbing the ultrasound pulse.

To exit the **Test ADC** routine, press any key, then select the **NO** option from the **Output to com?** to return to the **Engineering Menu**. If the **YES** option is selected the display shows 'SENDING DATA', while the unit outputs an ascii formatted string to the serial port representing the current echo return as displayed on the **ADC** trace.

3.2.5.3 Test 4-20mA

On selecting this option, the unit will step up through the 4-20mA output settings starting at 0mA in 1mA steps each time any key is pressed. After the 20mA step the **Engineering Menu** will be displayed.

This can be used to check the functionality of any equipment attached to the 4 to 20mA output as well as a basic instrument check.

3.2.5.4 Show Password

Selecting this option will show the current password set by the user. Press any key to return to the **Engineering Menu**.

3.2.5.5 Setup Processing

This option allows the user to programme the detection algorithm and filtering settings. Scroll to the **Setup Processing** option of the **Engineering Menu** and press the **SET** key. Selecting this will display the **Processing Menu**.

Processing Menu

>>>Tank Type

Detection Type Pre-processing

Display Scale

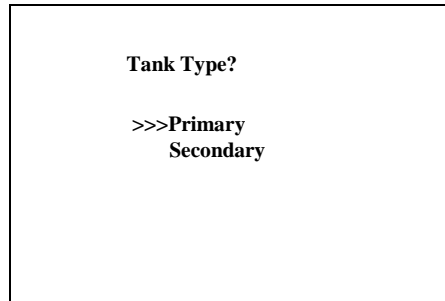
Output filter

Exit

AVOCET 9000 USER MANUAL

3.2.5.5.1 Tank Type

Selecting **Tank Type** allows the user to select between two fundamentally different modes of operation.



The two modes are designed for Primary clarifiers and Secondary clarifiers due to their differing Sludge characteristics.

The **Primary** tank mode is designed for tanks with rapid settling dense sludge with good signal returns. Selecting this mode of operation allows all the detection parameters to be manually set up as detailed below.

The **Secondary** tank mode is designed for secondary clarifiers where the sludge blanket has a low density and diffuse interface, resulting in very low signal returns. This mode has all set-up parameters factory pre-set for optimum operation, except for the minimum peak height value setting.

Selecting **Secondary** tank brings up the minimum peak height setting. This is used to set a minimum detection level, below which the instrument will ignore return signals. This is used to remove false blanket detection caused by artefacts in the signal return from objects in the tank, such as pinfloc and algal bloom.

Initially set the minimum value to Zero and then adjust the value up to just above the signal returns observed (given as the **H=xxx** figure in the lower right-hand corner of the running display) when spurious operation is observed.

NOTE setting this value too high will result in the sludge blanket level always reading zero.

Enter min peak Height

> 1200

3.2.5.5.2 Detection Type

Selecting **Processing Type** from the options allows a choice of algorithms to detect the sludge layer when in **Primary** tank type mode. The instrument supports three detection algorithms, peak detection, slope detection or threshold crossing. The parameters for each of the algorithms are fully configurable by the user. The basic details of each are outlined below.

Peak detection algorithm.

AVOCET 9000 USER MANUAL

The peak detection algorithm searches for the highest return signal or signal slope above a user set threshold level between the end of the blanking distance and the tank base. For this algorithm the head face to tank bottom must be set to be less than the actual tank depth at the sensor, or the instrument will always detect the bottom echo and disregard the desired sludge interface level.

Threshold crossing algorithm.

The threshold crossing algorithm searches for the first return signal to cross the user set threshold, starting from the end of the blanking distance, moving towards the tank base. This method is insensitive to the echo from the tank bottom being included in the analysis, so the tank bottom can be included in the sensor setup.

Scroll to the **Processing Type** option of the **Processing Menu** and press the **SET** key. This selection will present you with the detection algorithm selections.

Detection Settings?

>>> **Peak**
Threshold

Select the required echo detection algorithm required then press the **Set** key to display the **Threshold** type selection menu.

Threshold

>>> **Relative**
Absolute

Select the required threshold type required then press the **Set** key.

The threshold menu allows the user to select the reference point used to calculate the baseline for the signal detection threshold level.

The relative option uses a dynamic baseline relative to the noise baseline present in the return signals. As the noise varies with time the baseline will adjust to compensate for the varying noise levels. The absolute option sets the threshold relative to a zero-return signal (i.e. a noise free return signal).

3.2.5.5.3 Pre-processing

This menu allows you to adjust the actions performed on the raw echo signal prior to the application of the processing algorithms.

Scroll to the **Pre-processing** option of the **Processing Menu** and press the **SET** key.

This selection will present you with the **Pre-processing** selections.

Pre-processing

AVOCET 9000 USER MANUAL

>>> **Signal History Length**
Differential filter
Exit

Selecting the **Signal History length** option presents you with the following display.

Enter history length
>4

The History length value is the number of complete echo detection routines, which are then used to update the level and 4 to 20mA outputs. Increasing the value will damp the system response.

Enter the history length required then press the **SET** key to return you to the **Pre-processing** menu. The allowed length is from **1** to **32**.

Selecting the **Differential Filter** option presents you with the following display.

Differential Filter

>>> **Slope Unfiltered-Filtered**

The slope-filtered setting multiplies the return signal with a differential filter, which outputs high peaks for steep slopes. The algorithm then searches the output for either the highest peak, or the first slope, above a user set threshold level, between the end of the blanking distance and the tank base.

If the slope filter is selected the length of the filter is then required.

Enter Slope filter length
>4

Scroll using the **UP** and **DOWN** keys to the appropriate length and press the **SET** key to return you to the **Pre-processing** menu. The allowed values are **1** to **16**.

3.2.5.5.4 Display Scale

The **display scale** is not strictly a processing method and only affects the size the returned signal is displayed on the LCD screen for ease of viewing of small signals. This should be set up in both secondary and primary tank modes.

AVOCET 9000 USER MANUAL

Enter display scale

> 1

Enter the **display scale** required then press the **SET** key to return you to the **Processing** menu. The allowed scale is from **1** to **10**. E.G. 2 will magnify the echo display with a factor of 2 times.

3.2.5.5.5 Output Filter

The output filter stores a number of the previous results and determines the final output from these values. There are two types of filter available, **Median** and **Average**.

Filter Type?

>>> **Median**
Average.

Select the required filter type required then press the **Set** key.

The **Median** filter type selects the output level as the median (or centre value of a sorted list) of a history of stored values determined from the return signal. The filter will remove 'shot' noise of less than half the duration of the filter but will delay the output by a corresponding time.

The **Average** filter type calculates the average level from a history of stored values determined from the return signal. The length of the filter determines the amount a single reading affects the output but slows the response time of the system by an amount determined by the length.

After the selection of **Filter Type**, you will be asked to enter the **Filter Length**.

Enter filter length

> 5

Select the number of sample sets to be used in the selected filter type from the previous step (median or average filter type). The allowed values are **1** to **256** echo samples. Press the **SET** key to return you to the **Pre-processing** menu.

Selecting the **Exit** option returns you to the **Processing Menu**.

3.2.5.5.6 Exit

Selecting this option will exit to the **Engineering Menu**.

AVOCET 9000 USER MANUAL

First you will now be asked whether or not you wish to save the new settings. Selecting **YES** will make the changes permanent.

<p style="text-align: center;">Save Settings?</p> <p style="text-align: center;">> No Yes</p>

Selecting **NO** will return you back to the **Engineering Menu** without making any changes to the original settings. In both cases the instrument will momentarily show an appropriate message.

3.2.5.6 Exit

Selecting this option will exit to the **SETUP MENU**.

3.2.6 Setting the Run Mode

Selecting the **Run Mode** option will exit the programming menu and start the unit running.

Quick Setup Guide.

For rapid installation and evaluation, it is recommended that the following settings are used.

- 1 Set the tank depth set to 20cm less than the actual tank depth. (Setup **Sensor** menu) 2
Set the Blanking distance to 0.70m.
- 3 Set the threshold offset to 100mV.
- 4 Set the Tank type to a **Secondary** clarifier.
- 5 Set the minimum peak Height detection to zero.
- 6 Adjust the **Display Scale** to show the sludge level without filling the tank display screen

AVOCET 9000 USER MANUAL

Specifications

Tank Depth Range	0.7 m to 7 m.
Level Resolution	This is a percentage of depth and is equivalent to 0.03 m (3cms) at 5 metres range.
Stability	0.1% /deg. Celsius.
Dead Zones	Normally 0 - 0.6 metres and above 7 metres.
Temperature Range	-20 to +60 for the internal temperature in the enclosure.
Enclosure Protection	IP 65 for Outstation
Power Requirements	Either 110 Volts A.C. or 250 Volts A.C. Switch selectable.
Ultrasonic Sensor	The outstation is fitted with a low voltage transceiver type operating at VHF.
Outputs	A single pole change over relay rated at 250 A.C. continuous. 4-20 mA which encodes the blanket depth as a percentage of the tank depth. 2 trip point programmable relays. Consult manufacturers if RS232 is required.
Features	The self-purging sensor reduces difficulties due to fouling. The system is essentially non-invasive.
